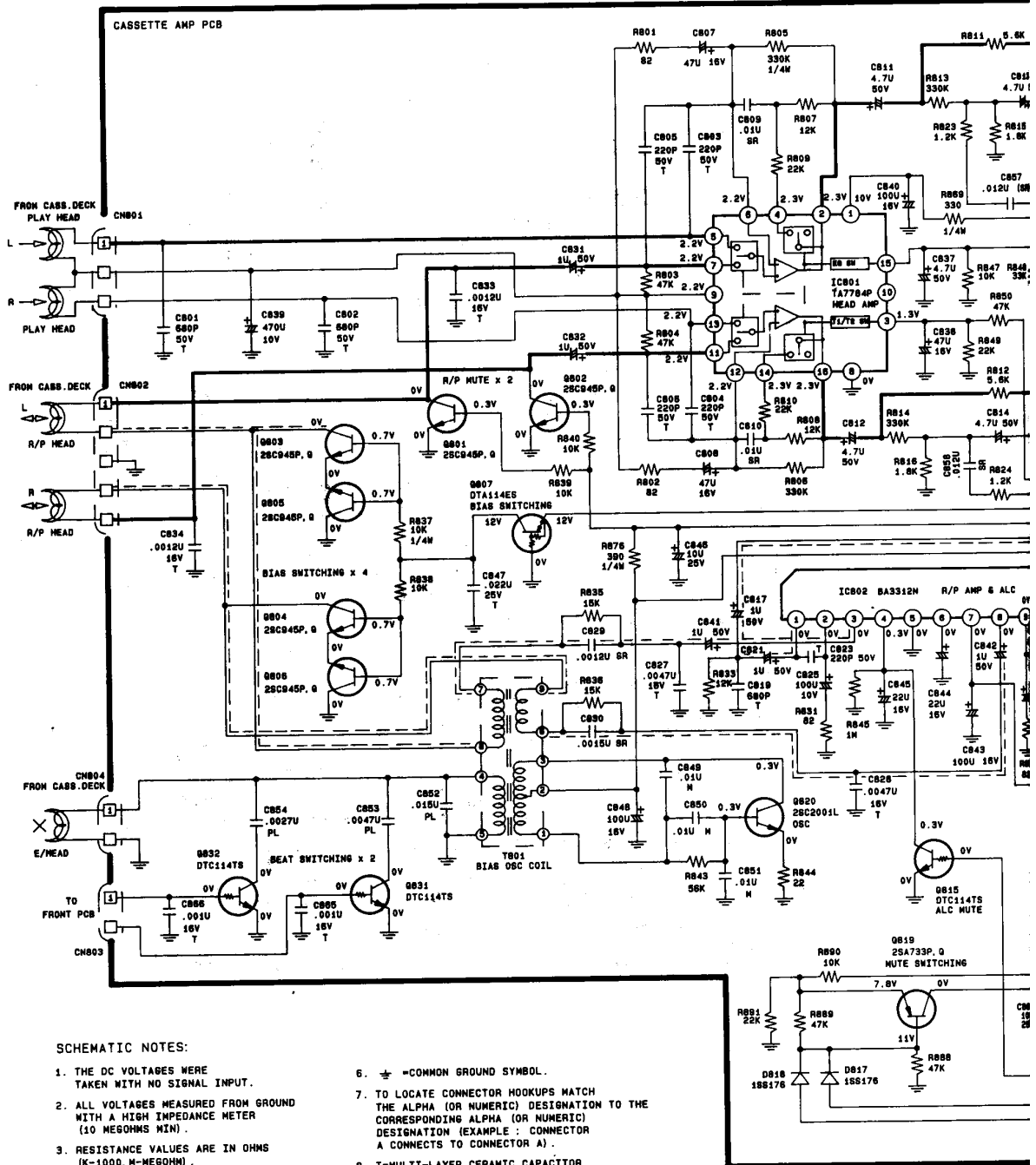


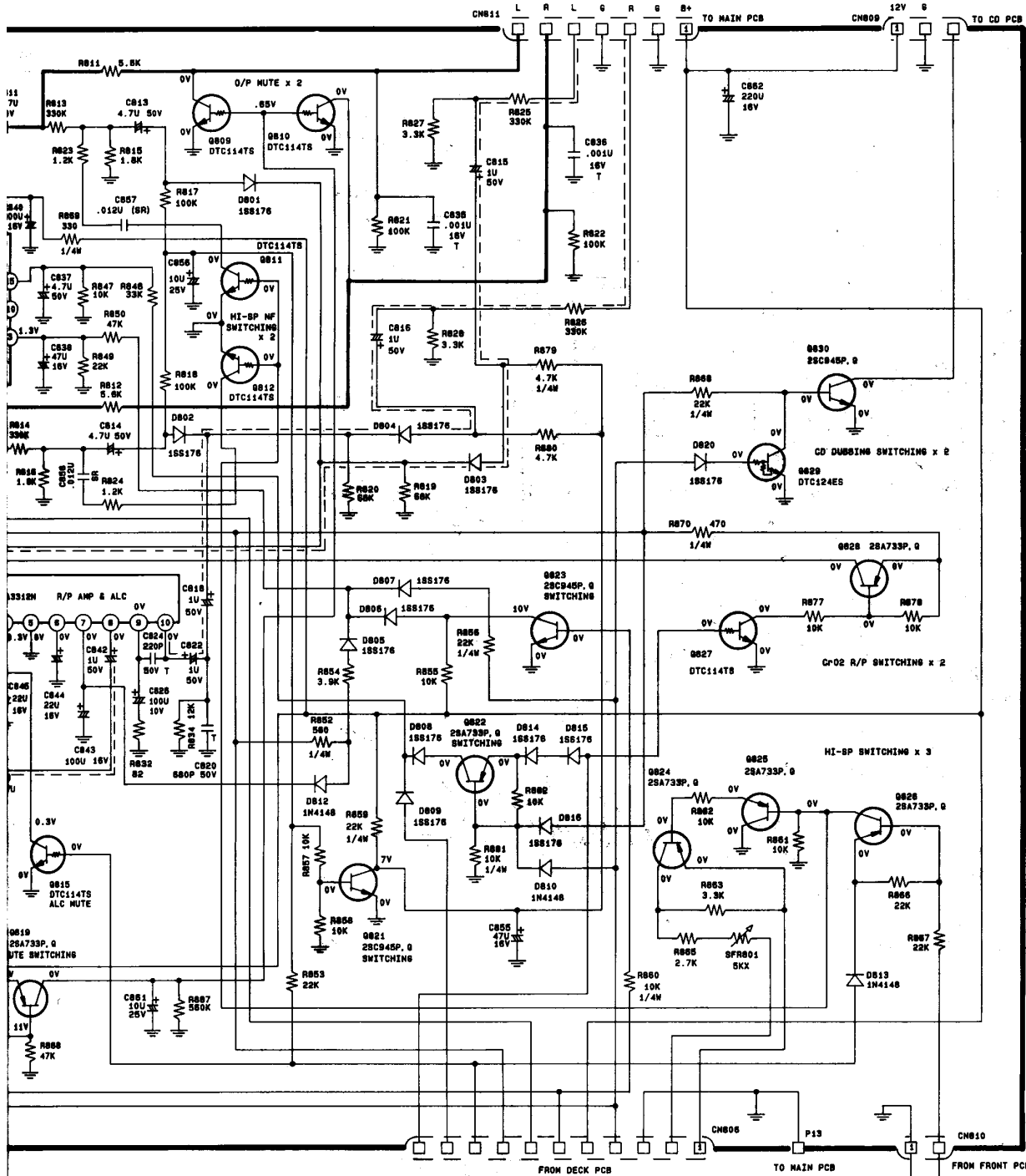
Schaltplan Cassettenteil Circuit Diagram Cassette Part



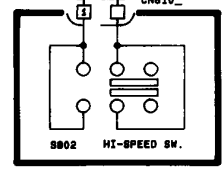
SCHEMATIC NOTES:

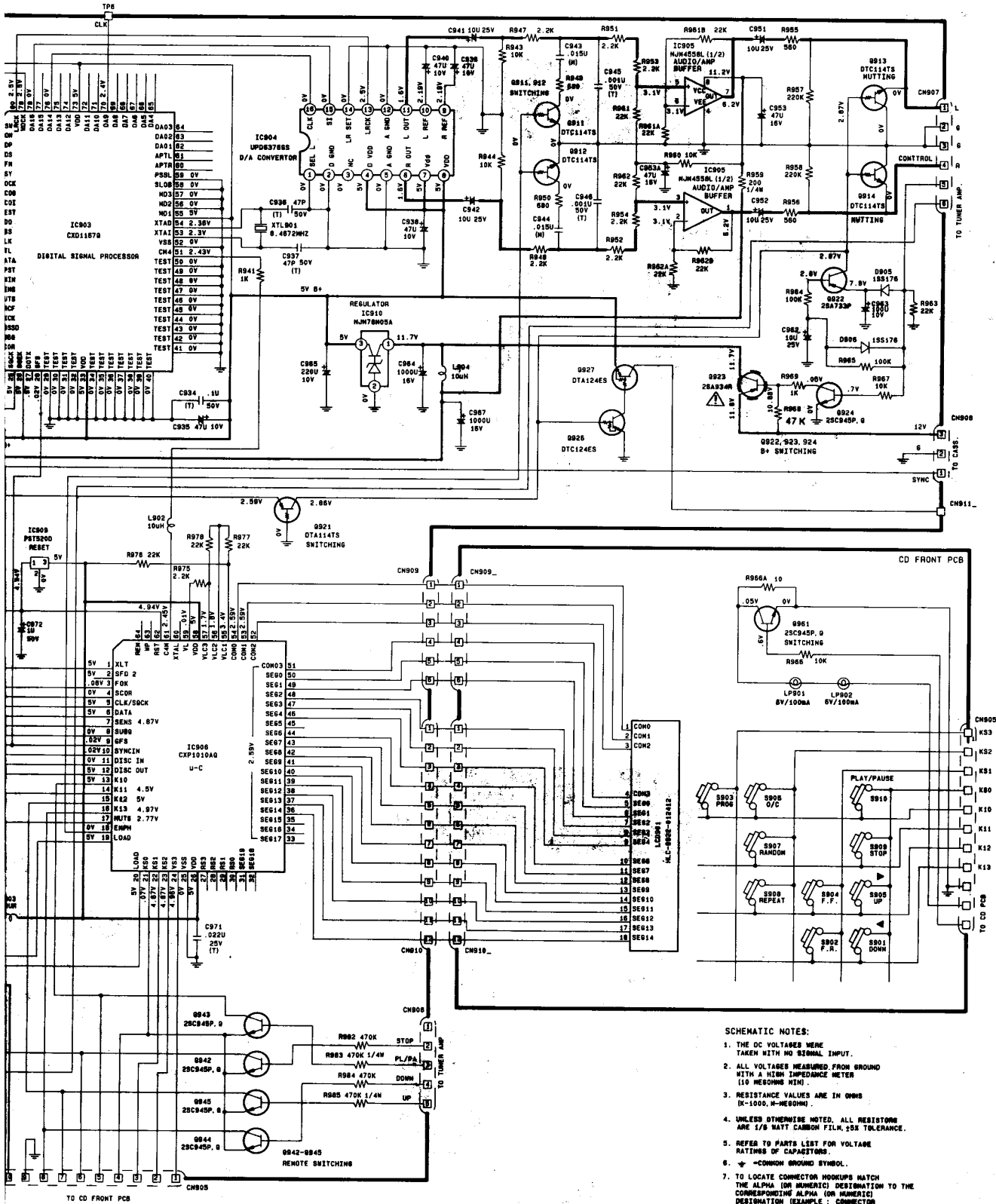
1. THE DC VOLTAGES WERE TAKEN WITH NO SIGNAL INPUT.
2. ALL VOLTAGES MEASURED FROM GROUND WITH A HIGH IMPEDANCE METER (10 MEGOHMS MIN).
3. RESISTANCE VALUES ARE IN OHMS (K=1000, M=MEG OHM).
4. UNLESS OTHERWISE NOTED, ALL RESISTORS ARE 1/8 WATT CARBON FILM, ±5% TOLERANCE.
5. REFER TO PARTS LIST FOR VOLTAGE RATINGS OF CAPACITORS.
6. ⚡ = COMMON GROUND SYMBOL.
7. TO LOCATE CONNECTOR HOOKUPS MATCH THE ALPHA (OR NUMERIC) DESIGNATION TO THE CORRESPONDING ALPHA (OR NUMERIC) DESIGNATION (EXAMPLE: CONNECTOR A CONNECTS TO CONNECTOR A).
8. T=MULTI-LAYER CERAMIC CAPACITOR.
9. ——— =INDICATES SIGNAL PATH OF CIRCUIT.
10. - - - =INDICATES SIGNAL PATH OF RECORDING.

*ALL INTEGRATED CIRCUITS AND MANY OF ARE ELECTROSTATICALLY SENSITIVE



... CIRCUITS AND MANY OTHER SEMICONDUCTOR DEVICES
... ESPECIALLY SENSITIVE

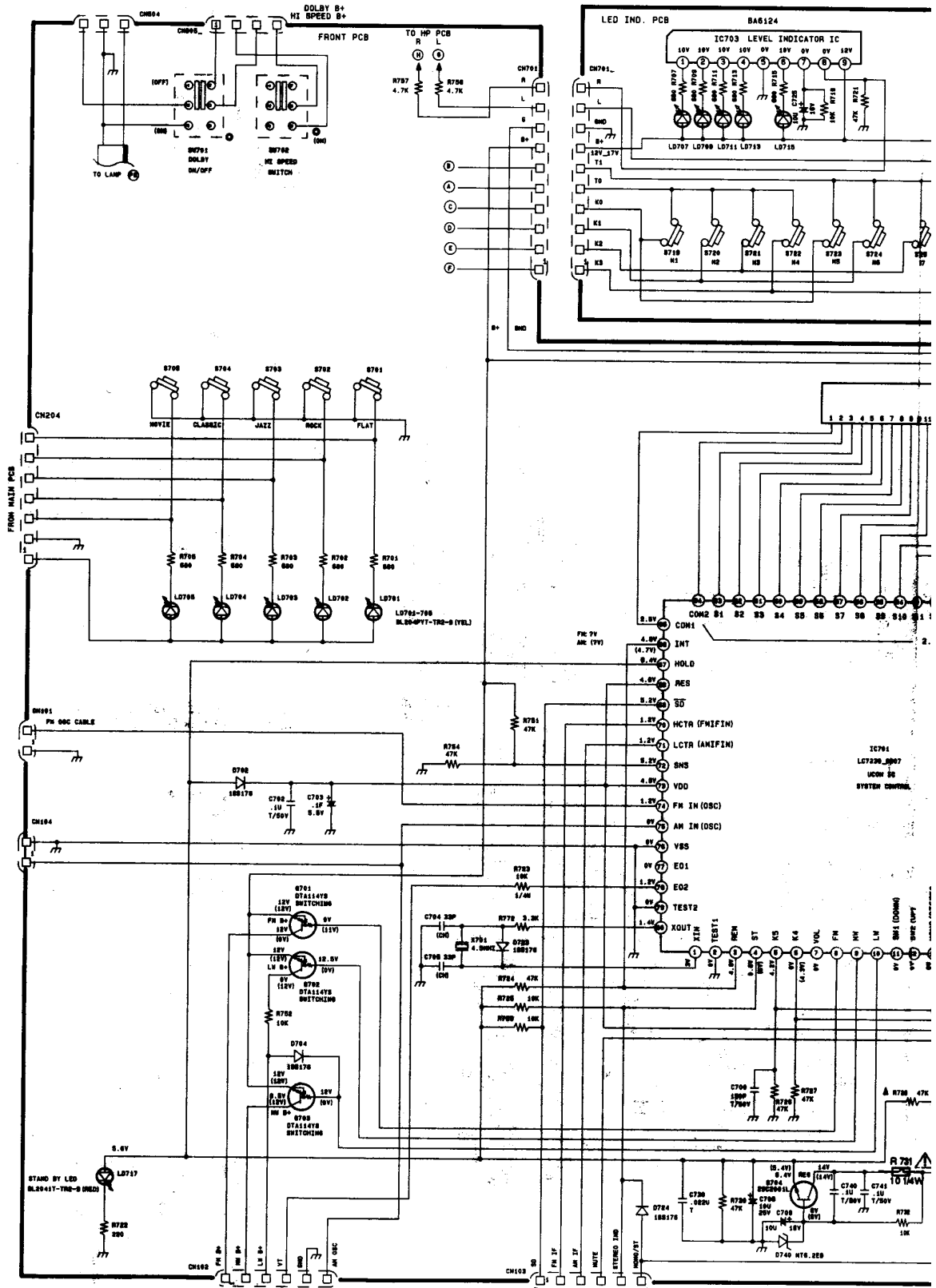


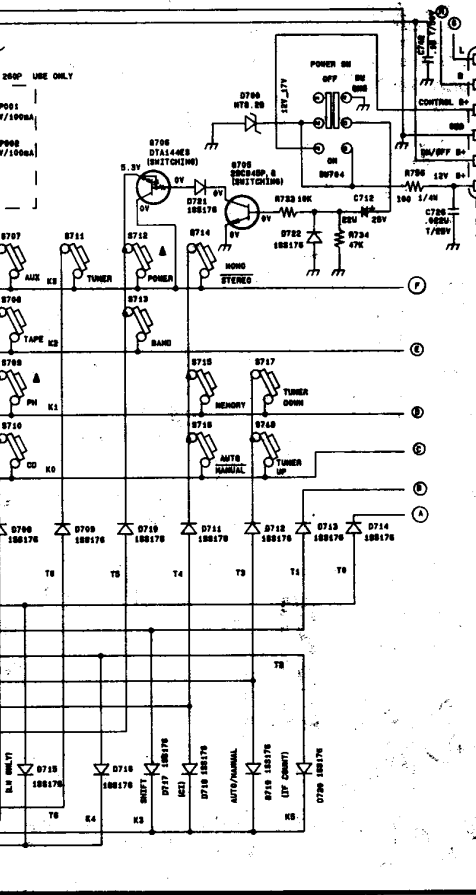
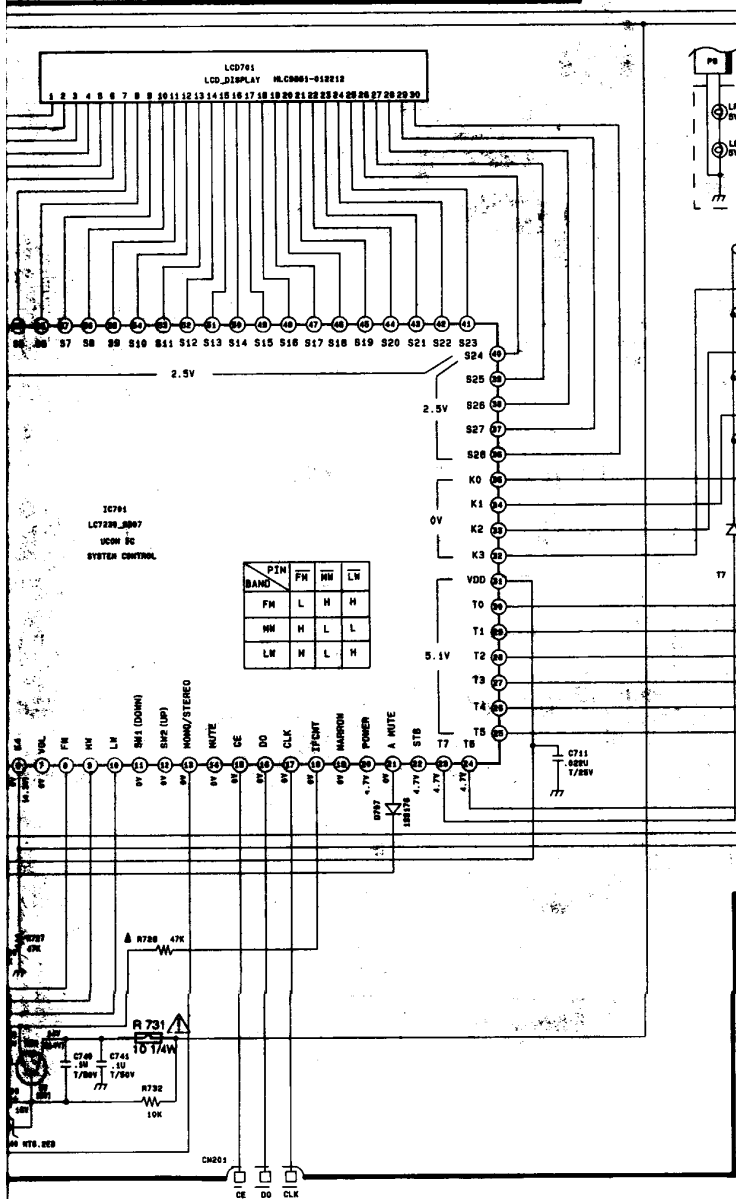
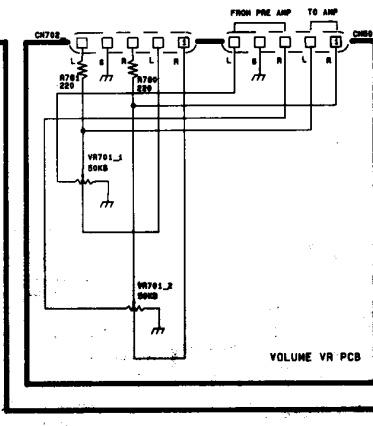
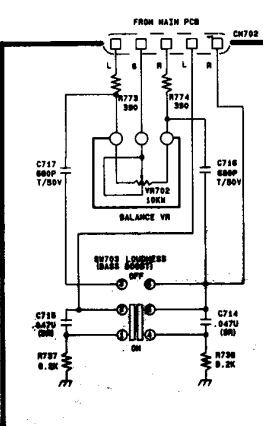
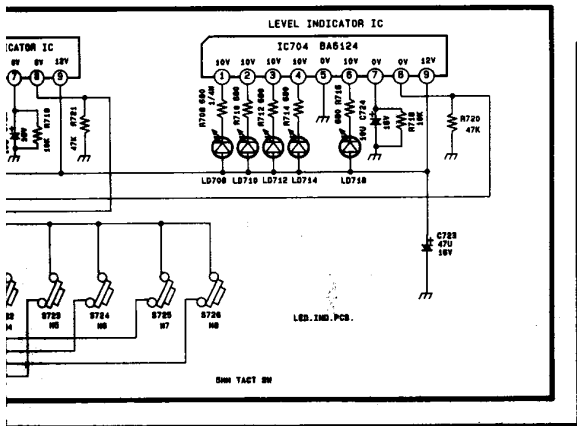


- SCHEMATIC NOTES:**
1. THE DC VOLTAGES WERE TAKEN WITH NO SIGNAL INPUT.
 2. ALL VOLTAGES MEASURED FROM GROUND WITH A HIGH IMPEDANCE METER (10 MEGOHMS MIN).
 3. RESISTANCE VALUES ARE IN OHMS (R=1000, K=MEG OHM).
 4. UNLESS OTHERWISE NOTED, ALL RESISTORS ARE 1/8 WATT CARBON FILM, 25% TOLERANCE.
 5. REFER TO PARTS LIST FOR VOLTAGE RATINGS OF CAPACITORS.
 6. * -COMMON GROUND SYMBOL.
 7. TO LOCATE CONNECTOR HOOKUPS MATCH THE ALPHA (OR NUMERIC) DESIGNATION TO THE CORRESPONDING ALPHA (OR NUMERIC) DESIGNATION (EXAMPLE: CONNECTOR A CONNECTS TO CONNECTION A).
 8. T-MULTI-LAYER CERAMIC CAPACITOR.
 9. -INDICATES SIGNAL PATH OF CIRCUIT.

ALL INTEGRATED CIRCUITS AND MANY OTHER SEMICONDUCTOR DEVICES ARE ELECTROSTATICALLY SENSITIVE

Schaltplan Bedienteil Circuit Diagram Operating Part





- SCHEMATIC NOTES:**
1. THE DC VOLTAGES WERE TAKEN WITH NO SIGNAL INPUT.
 2. ALL VOLTAGE MEASURED FROM GROUND WITH A HIGH IMPEDANCE METER (10 MEGOHMS MIN).
 3. RESISTANCE VALUES ARE IN OHMS (K=1000, M=MEGOHMS).
 4. UNLESS OTHERWISE NOTED, ALL RESISTORS ARE 1/8 WATT CARBON FILM, ±5% TOLERANCE.
 5. REFER TO PARTS LIST FOR VOLTAGE RATINGS OF CAPACITORS.
 6. ⚭ = COMMON GROUND SYMBOL.
 7. TO LOCATE CONNECTOR HOOKUPS MATCH THE ALPHA (OR NUMERIC) DESIGNATION TO THE CORRESPONDING ALPHA (OR NUMERIC) DESIGNATION (EXAMPLE: CONNECTOR A CONNECTS TO CONNECTOR A).
 8. T=MULTI-LAYER CERAMIC CAPACITOR.

⚭ALL INTEGRATED CIRCUITS AND MANY OTHER SEMICONDUCTOR DEVICES ARE ELECTROSTATICALLY SENSITIVE

